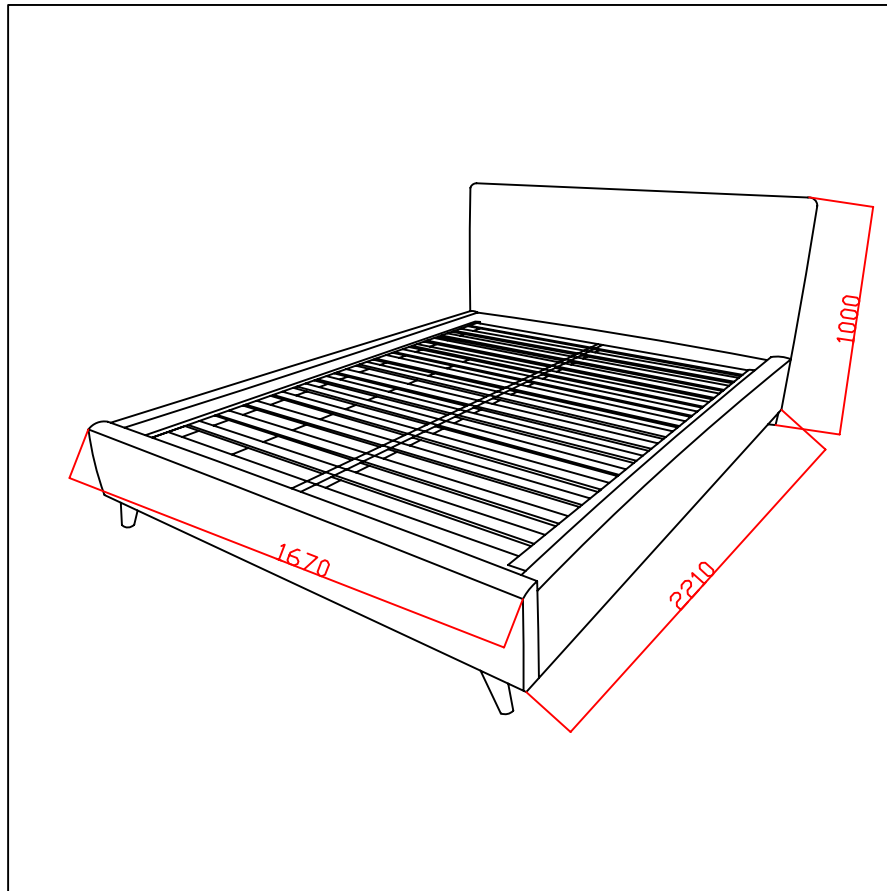




ASSEMBLY INSTRUCTION
SCANDI QUEEN BED
ITEM CODE 56824

Imported by Amart Furniture Pty Ltd, Qld, Brisbane Australia.
For any assistance with assembly or for missing parts please phone
Amart Furniture, Customer Service Free call 1800 351 084

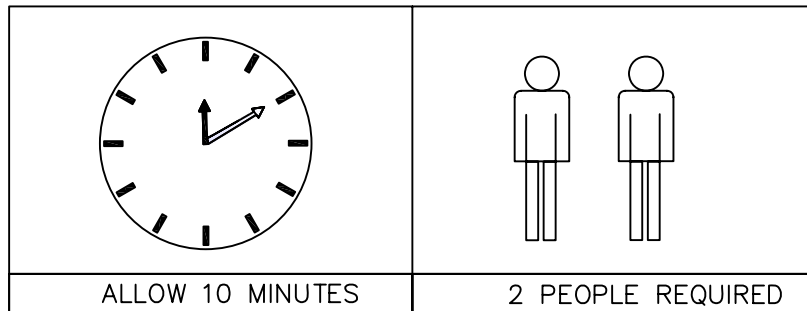


Imported by Amart Furniture Pty Ltd, Qld, Brisbane Australia.
For any assistance with assembly or for missing parts please phone
Amart Furniture, Customer Service Free Call 1800 351 084

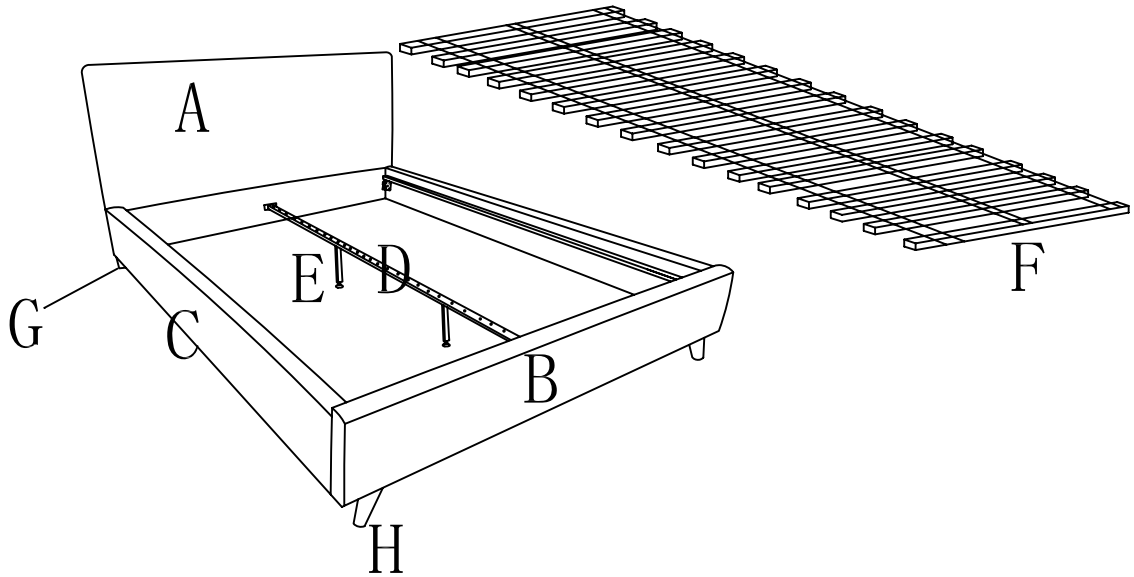
PRE-ASSEMBLY PREPARATION

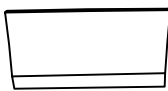
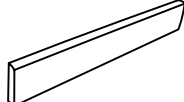


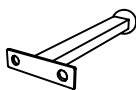

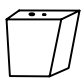
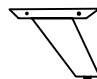
Before you start:










1. Choose a clean, level, spacious assembly area. Avoid hard surfaces that may damage the product
2. Take care when lifting. Product be assembled as near as possible to the point of use
3. Ensure that you have all required contents for complete assembly
4. Always read the assembly instructions carefully before beginning assembly
5. Keep all hardware parts and packaging out of small children
6. Do not over tighten the screws and bolts as this may damage the threads



PARTS LIST

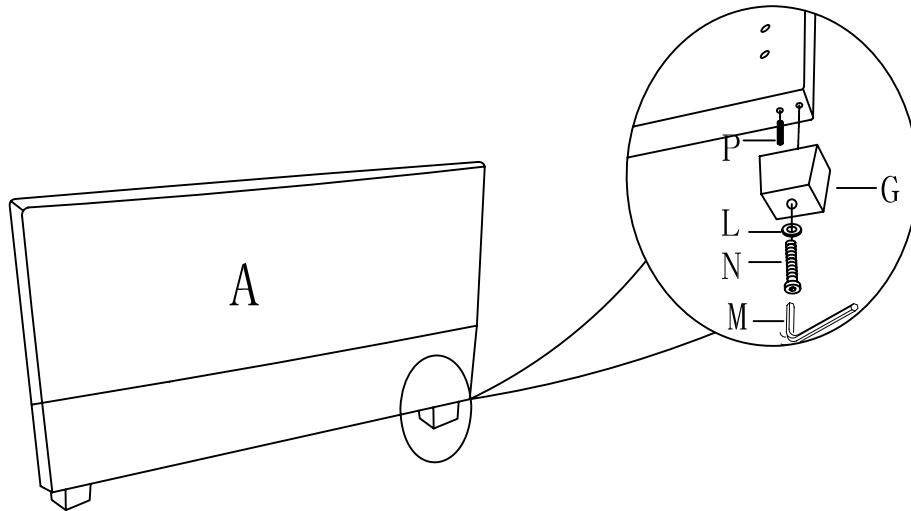


A.1PC  Headboard	B.1PC  Footboard
C.2PCS  Rail	D.1PCS  Center slat rail
E.2PCS  Support leg	F.16PCS (1540*55*9MM)  Slat
G.2PCS  HB Leg	H.2PCS  FB Leg

I. 32PCS (M4*2.5CM)  Screw	J.1PC  Wrench
K.4PCS(M8)  Nut	L.22PCS(M8)  Flat washer
M.1PC(M8)  Allen key	N.2PCS (M8*60mm)  Allen bolt
O.12PCS (M8*30mm)  Allen bolt	P.2PCS (M8*40mm)  Wood dowel
Q.12PCS(M8)  Spring washer	

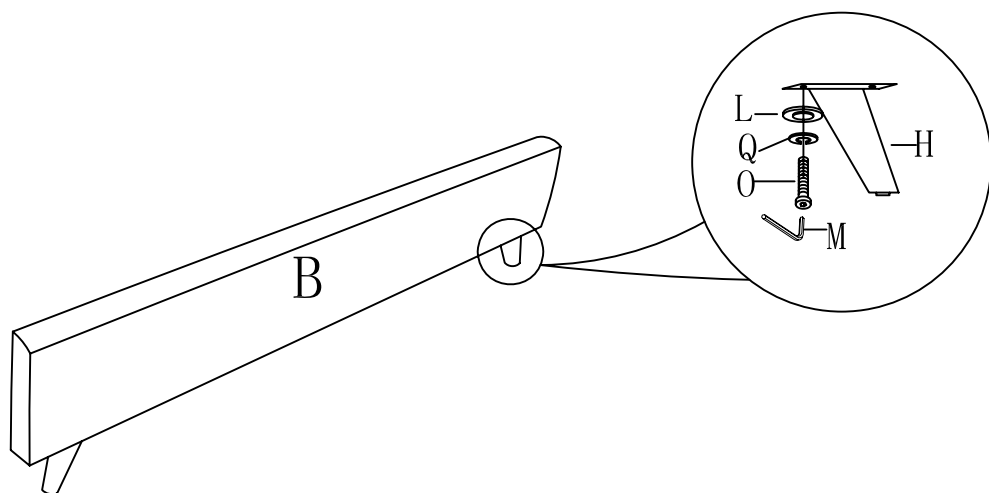
STEP 1

Insert the Wood dowels(P) into the HB leg(G), attach HB leg(G) to Headboard(A), using Allen bolt(N) and Flat washer(L), then fasten by Allen key(M).



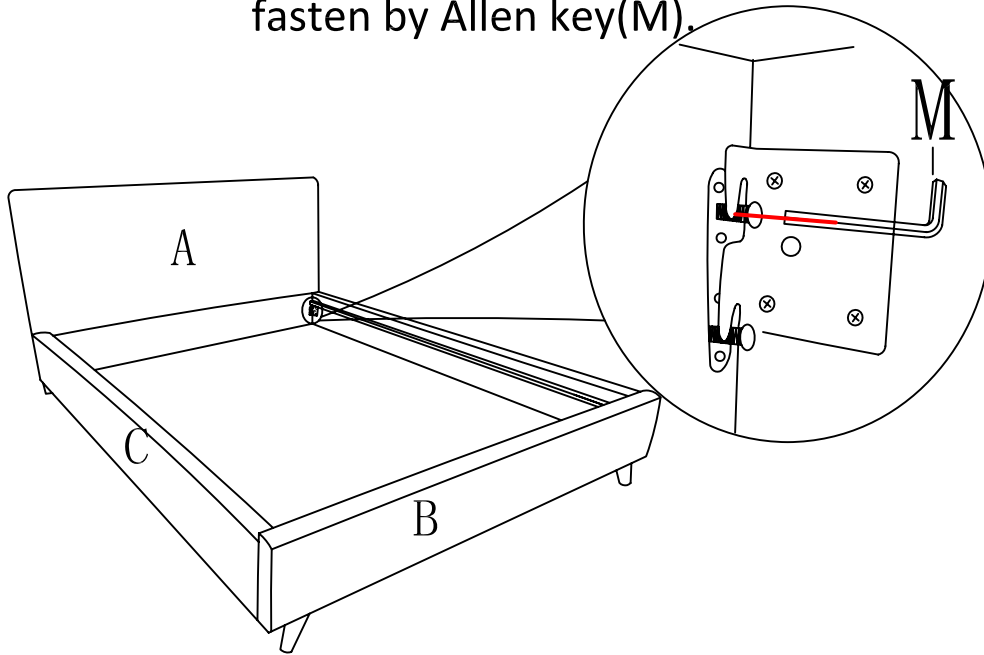
STEP 2

Attach FB leg(H) to Footboard(B), using Allen bolt(O) with Flat washer(L) and Spring washer(Q), then fasten by Allen key(M).



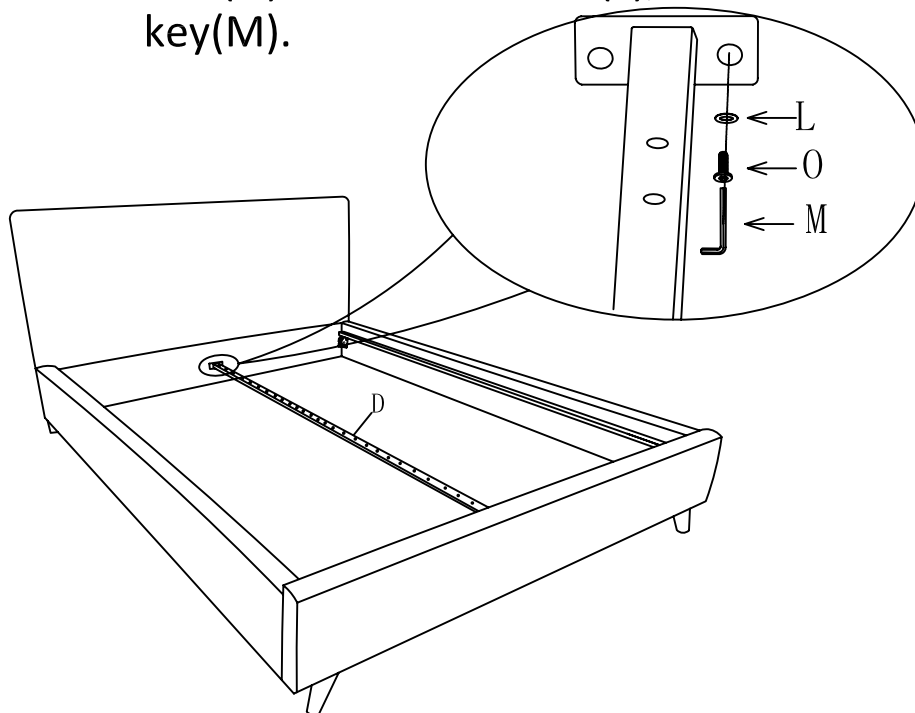
STEP 3

Screw out the bolts in the Headboard/footboard(A/B), attach rail(C) by putting up the bracket on the bolts, then fasten by Allen key(M).



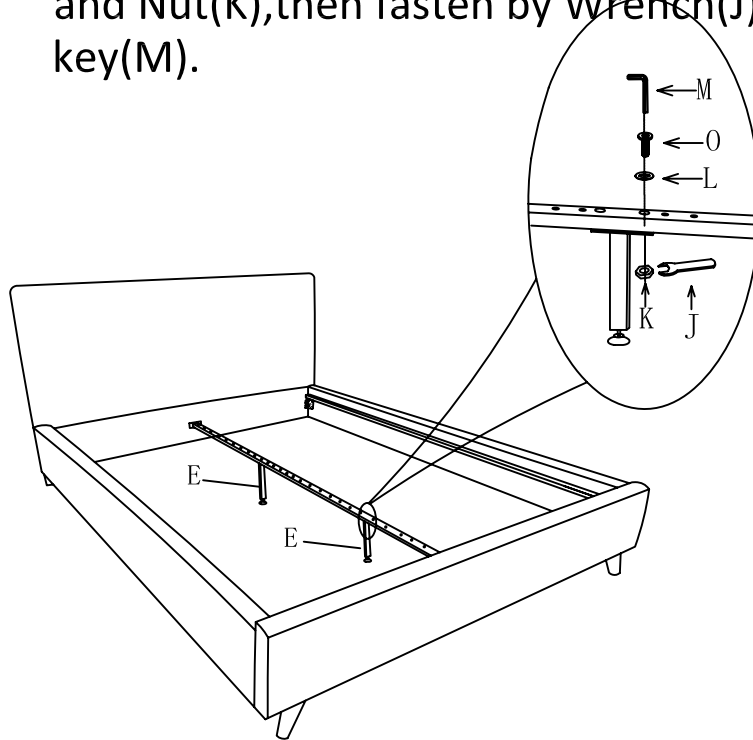
STEP 4

Attach Center slat rail(D) to Headboard/Footboard(A/B), using Allen bolt(O) and Flat washer(L), then fasten by Allen key(M).



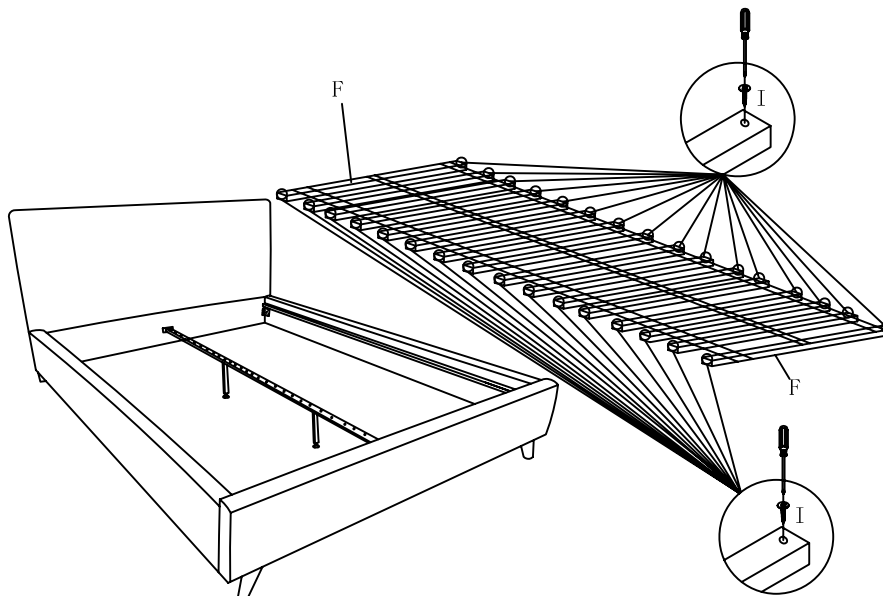
STEP 5

Attach Support leg(E) to Center slat rail(D), using Allen bolt(O) with Flat washer(L) and Nut(K), then fasten by Wrench(J) and Allen key(M).

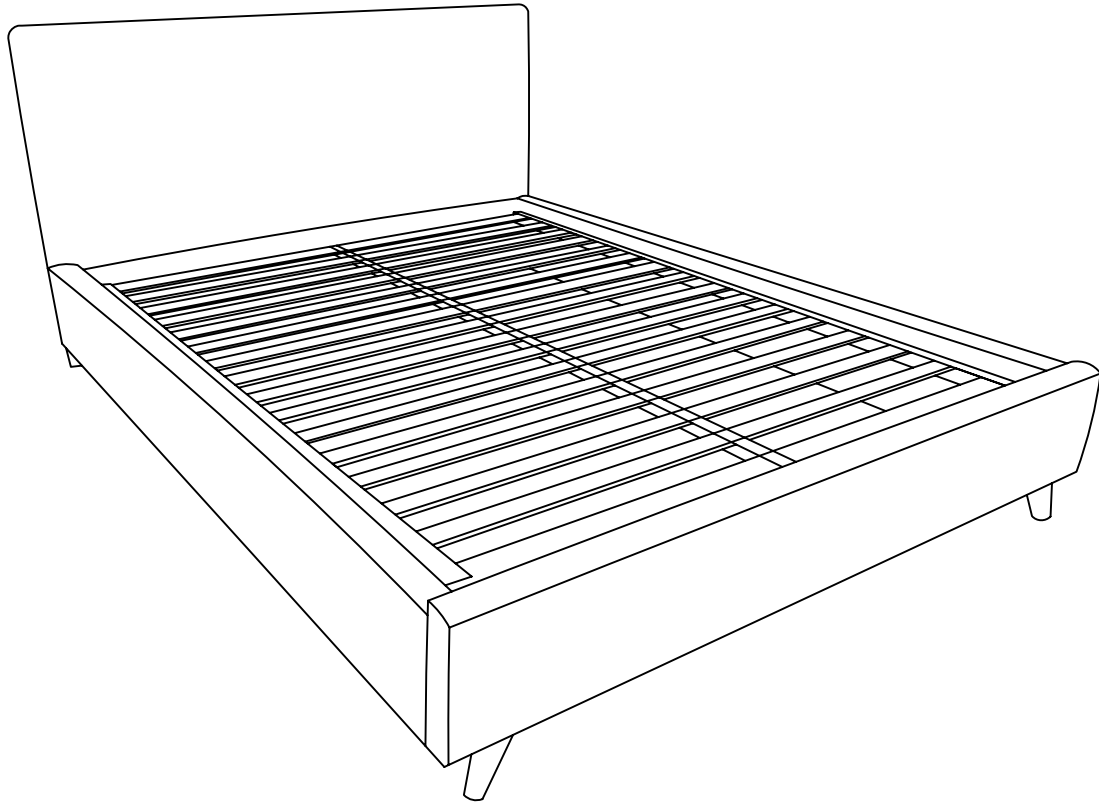


STEP 6

Attach Slat(F) to Rail(C), using Screw(I) .



ASSEMBLY IS COMPLETE



Do not drag bed on any surface, must be lifted.

CARE AND MAINTENANCE

FABRIC CARE

REGULAR CARE: PROTECT FROM DIRECT SUNLIGHT. VACUUM REGULARLY USING LOW SUCTION. ROTATE REVERSIBLE CUSHIONS REGULARLY.

CLEANING:

DO NOT REMOVE CUSHION COVERS FOR SEPARATE CLEANING EVEN THOUGH THEY HAVE ZIPPERS.

DO NOT WASH

DO NOT DRY CLEAN

DO NOT SHAMPOO

CLEAN CLEAN WITH HOT-WATER EXTRACTION MACHINE. (HOT)

PROFESSIONAL CLEANING RECOMMENDED DO NOT USE

DISHWASHING OR LAUNDRY

DETERGENTS

USE ONLY UPHOLSTERY DETERGENTS

DO NOT WET FILLING

DRY IN SHADE AWAY FROM DIRECT HEAT AND SUNLIGHT

ALLOW TO DRY THOROUGHLY BEFORE RE-USE

SPOT CLEANING:

DO NOT RUB

DO NOT SPOT CLEAN WITH ANY SOLVENT.

TREAT SPILLS AND STAINS AS SOON AS POSSIBLE.

GENTLY SCRAPE ANY SOIL OR MOP ANY LIQUID

FROM THE SURFACE OF THE FABRIC.

APPLY PROPRIETARY CLEANING AGENTS STRICTLY ACCORDING TO INSTRUCTIONS TO REMOVE THE

RESIDUE OF THE SPILL.

DO NOT SATURATE THE FABRIC OR INTERIOR WITH

WATER OR OTHER CLEANING LIQUIDS.

WARNING: APPLY ONLY WATER-BASED SOIL RESIST (FABRIC PROTECTION) TREATMENTS. DO NOT USE AEROSOL PRODUCTS.